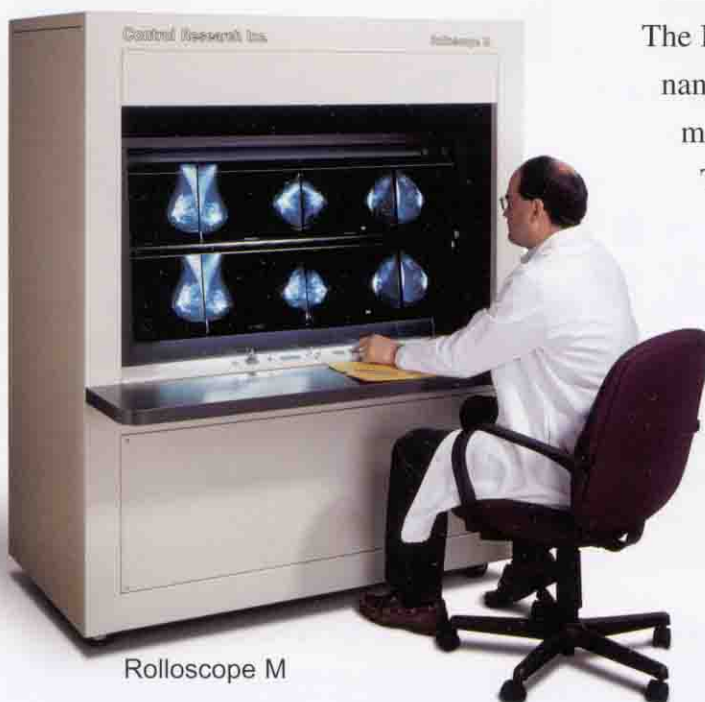


Spend time reading extraordinary performance

The Rolloscope M[®] and ML[®] are remarkable tools to speed and enhance mammography film interpretation. With one touch they dim, change cases, mask automatically to the next frame's preset film configuration and brighten. The shutters can be masked appropriately for each of the 86 frames by the person loading the film and are memorized automatically.

Maintaining fully masked viewing conditions throughout the reading session enables the radiologist to focus on the case. There is no distraction of adjusting shutters or waiting for pupils to dilate to visualize subtle changes in film densities.

The M series also accommodate 14" x 17" film by pressing one button to switch from mammography to full frame mode. This saves going to another viewer for chest or ultrasound films. The joystick and high luminance provide a roaming spot which saves removing a film to hot light it. Superior engineering and design have assured years of trouble-free performance.



Rolloscope M

The Rolloscope M series has the highest luminance available, the largest capacity of mammography films, and the longest belt life.

They can relieve the time pressure and promote concentration, making your reading sessions more productive, focused and effective.

In today's healthcare economics, the Rolloscope M series is a perfect solution for better care in less time.

Put Time On Your Side...

not sorting- mance, fast & quiet.



The new longer ML model features all of these benefits with an additional capacity of 33% more films. This means the ability to review 8 over 8 of the standard 18 x 24 cm mammo films at once. Seeing four years of films on the same patient at one time without the distraction of handling film or adjusting masking, increases productivity enormously.

Features & Benefits:

- Dims and masks automatically during frame selection.
- Complete shutter control within each frame through individual movement with four toggle switches.
- Roam function with single joystick down to 2.5" x 2.5" opening.
- Preset masking sizes through four single-step push buttons.
- Widest light output range: 350 - 12,000+ nit; Far exceeds ACR Standards.
- Switch to full frame with one button - holds 14" x 17" and mammos.
- Film clips for secure loading and unobstructed viewing.
- Automatic frame selector is standard.
- All mechanical movements are precise.
- Normal life expectancy of film belt is a minimum of 10 years.
- Engineered for trouble-free performance.



Rolloscope ML

**Read mammos and MRI's
on the same multiviewer.**

Simple & Intuitive Control Panel:



Frame Selector

Shutter Control

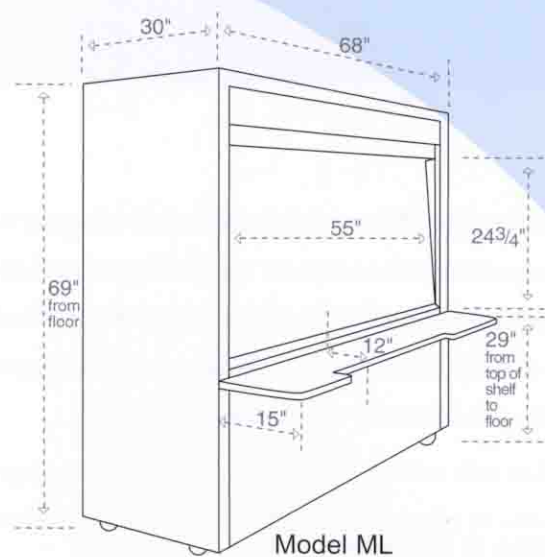
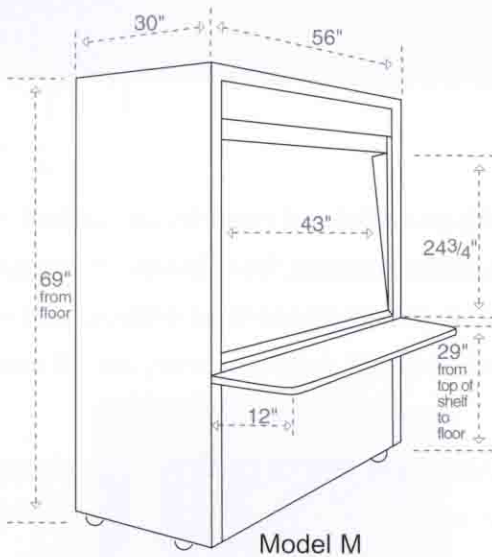
Lamp Control

**Manufactured by Control Research, Inc.
Marketed Exclusively by Broadwest Corporation**

Conversion Table - rounded to nearest 1/16"

inches	69	68	56	55	43	30	29	24 ³ / ₄	15	12
mm	1753	1727	1423	1397	1092	762	737	629	381	305

Meets or exceeds ACR Standards
Underwriters Laboratory Listed
ULc approved
Made in the U.S.A.



General Specifications:

- Film Transport: Vertically driven Mylar belt.
- Number of Panels: 86.
- Lamp Type: 48" daylight fluorescent bulbs.
- Color Temperature: 7000° Kelvin.
- Power Required: 100-130 VAC, 50/60 Hz, 15 A, standard outlet.

View First Films Within Minutes:

- Delivered directly to designated area.
- Comes blanket wrapped: no messy packing materials.
- Moves easily on wheels: no dollies needed.
- Fits through a standard door.
- Requires only a standard outlet to operate.

Maximum Viewing Capacity

18 x 24 cm film

Model ML

1,376 (8 over 8)

Model M

1,032 (6 over 6)

24 x 30 cm film

1,032 (6 over 6)

688 (4 over 4)

14" x 17" (MRI's, Ultrasound...)

344 (4 across)

258 (3 across)

Viewing Area

54¹/₂" x 24"

42¹/₂" x 24"

Unit Dimension (w/o 12" deep shelf)

68"w x 30"d x 69"h

56"w x 30"d x 69"h

Weight

1,200 lbs.

1,030 lbs.

Luminance Level

350 - 12,000+ nit

350 - 10,000+ nit

Heat Output

Max: 2,800 BTU/Hr.

Max: 1,945 BTU/Hr.

Power Consumption

6.5 amps maximum

4.5 amps maximum

Available from dealers nationwide - please contact us for information.

Distributed by:
JZ Imaging & Consulting
1-888-459-9729