

SECTION 2
GENERAL INFORMATION

CONTENTS	PAGE
1.1 Introduction	2.1
1.2 Specifications	2.2
1.3 Decals and Labels	2.3

2.1 Introduction

The Rolloscope models M and ML are motorized film viewers, especially made for viewing mammographic X-ray films, but they can also be used for viewing full size films.

For an overview of the operating principle of the Rolloscope, see the first part of the Operation section of this manual.

This manual covers both models M and ML, however, the illustrations are based on the M model shown in Figure 2-1. The ML model is wider and can hold more films than the M model, otherwise, the two models are identical. Rolloscope M and ML have the following features:

- High capacity, up to 1376 (1032 for M) 18 x 24 cm films.
- Light output range 350 - 12,000 nit (350 - 10,000 for M).
- Automatic masking for each preset frame.
- Roam function with single joystick.
- Frame selector for single step, scrolling or frame number.
- Connects to a standard 100-130 Volts outlet.
- Moves easily on 3" swivel casters.
- Fits through most standard doors.
- Optional foot switch for single step or scrolling.
- Hot-light outlet with optional foot switch.

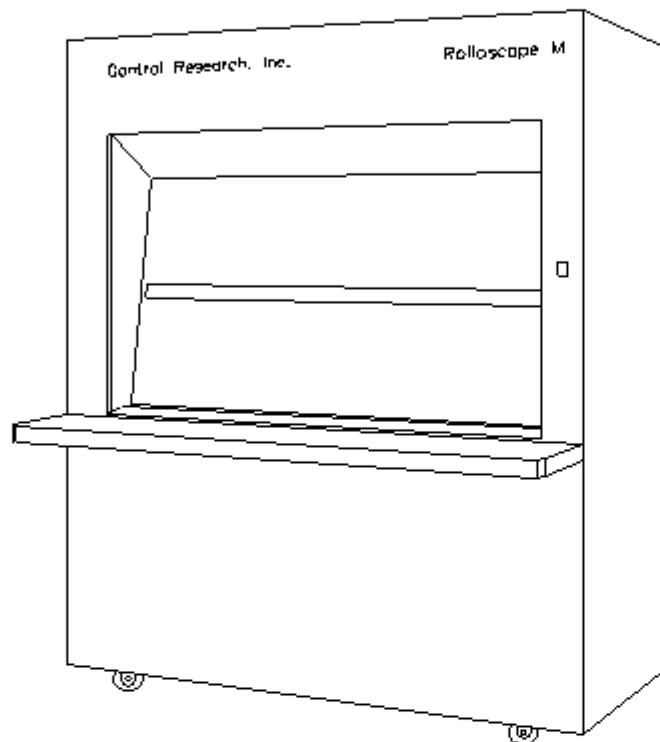
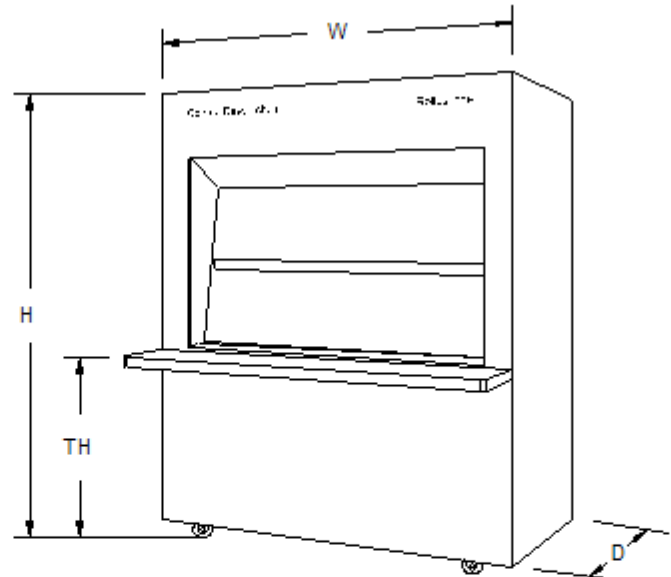


Figure 2-1. Rolloscope M

2.2 Specifications

DIMENSIONS

Dimension	M		ML	
	In	mm	In	mm
Height (H)	69	1753	69	1753
Width (W)	56	1423	68	1727
Depth (D)	30	762	30	762
Table Height (TH)	29	737	29	737
Table Depth	12	305	15	381



	Model M	Model ML
Viewing Area	42.5" x 24" (1079 x 610 mm)	54.5" x 24" (1384 x 610 mm)
Maximum Viewing Capacity		
18 x 24 cm film	1,032 (6 over 6)	1,376 (8 over 8)
24 x 30 cm film	688 (4 over 4)	1,032 (6 over 6)
14" x 17" film	258 (3 across)	344 (4 across)
Luminance Level	350 - 10,000 nit	350 - 12,000 nit
Color Temperature	7,000 deg. Kelvin	7,000 deg. Kelvin
Lamp Type	48" Fluorescent Daylight	60" Fluorescent Daylight
Power Required	95 - 125 VAC, 15 A, 50/60 Hz	95 - 125 VAC, 15 A, 50/60 Hz
Power Consumption	4.5 Amps Maximum	6.5 Amps Maximum
Heath Output	Max: 1,945 BTU/hr	Max: 2,800 BTU/hr
Weight	1,030 lbs. (467 kg)	1,200 lbs. (544 kg)

2.3 Decals and Labels

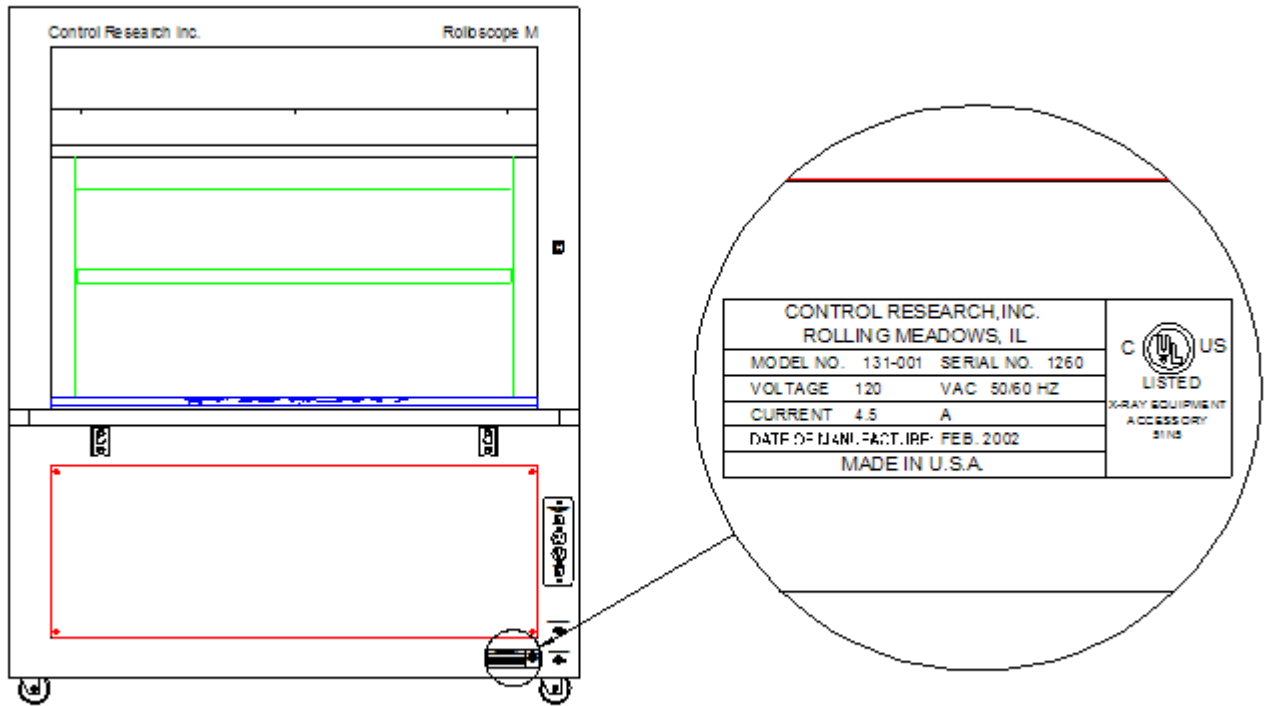


Figure 2-3-a. ID Label